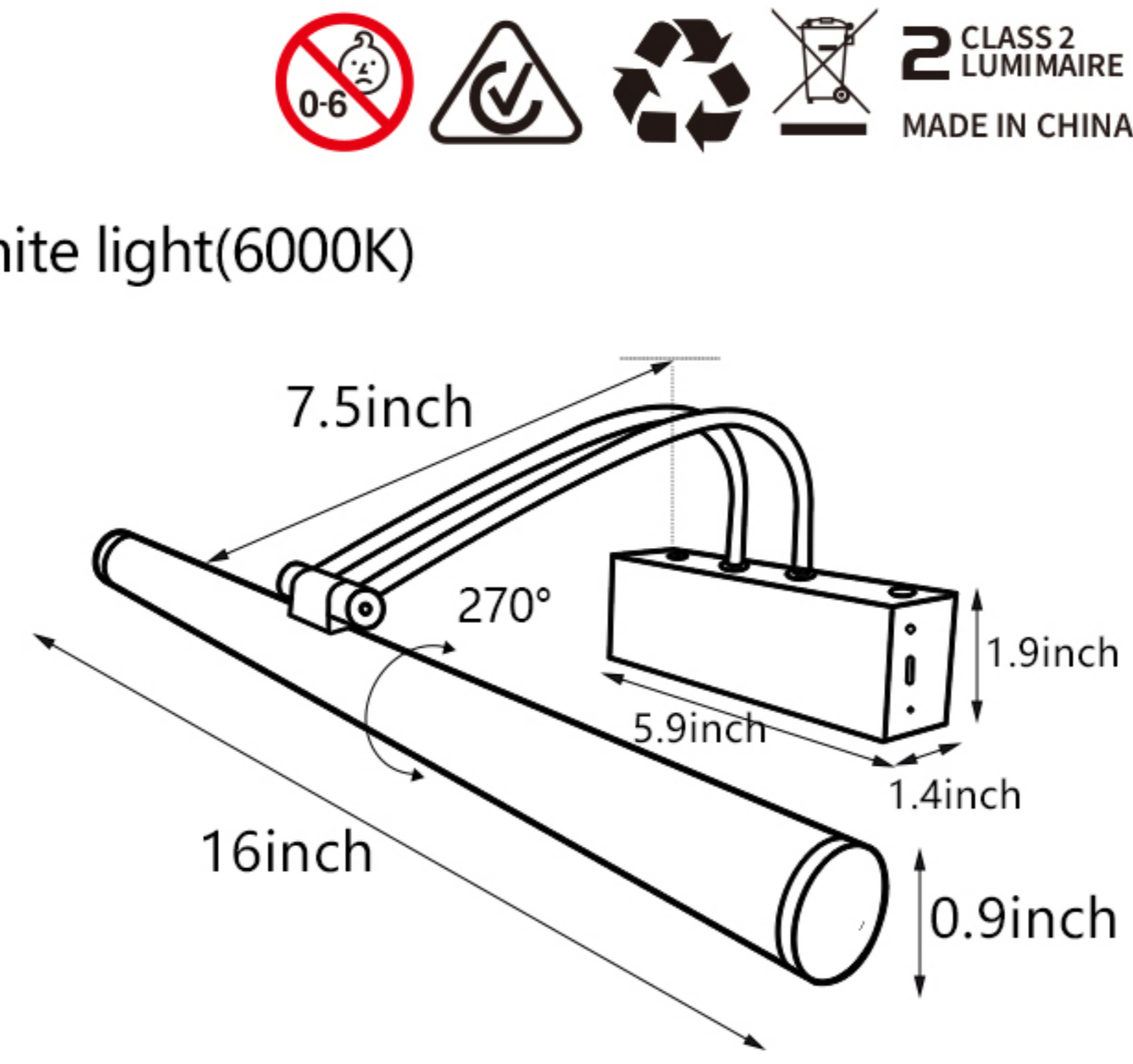


# Product Manual

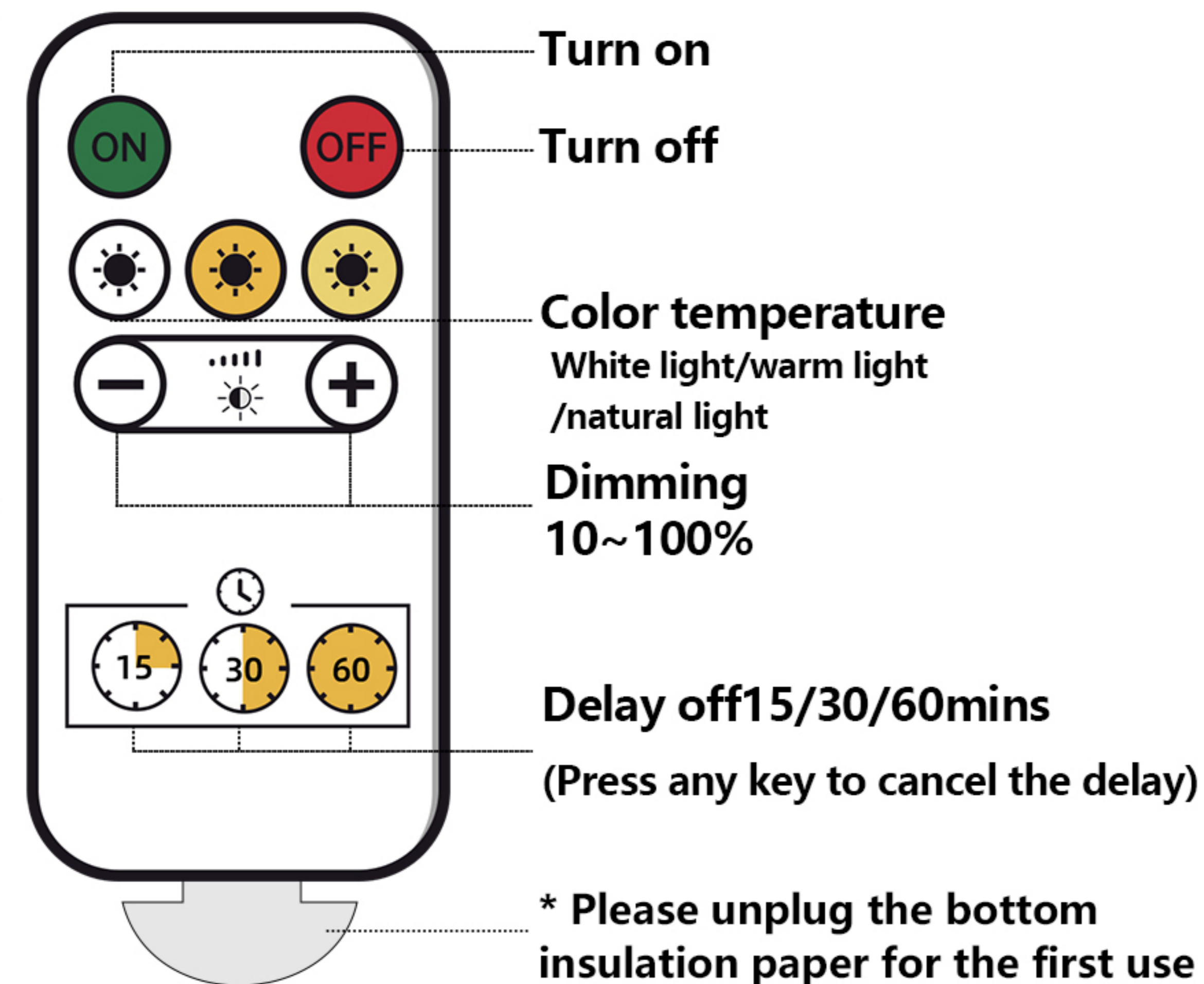
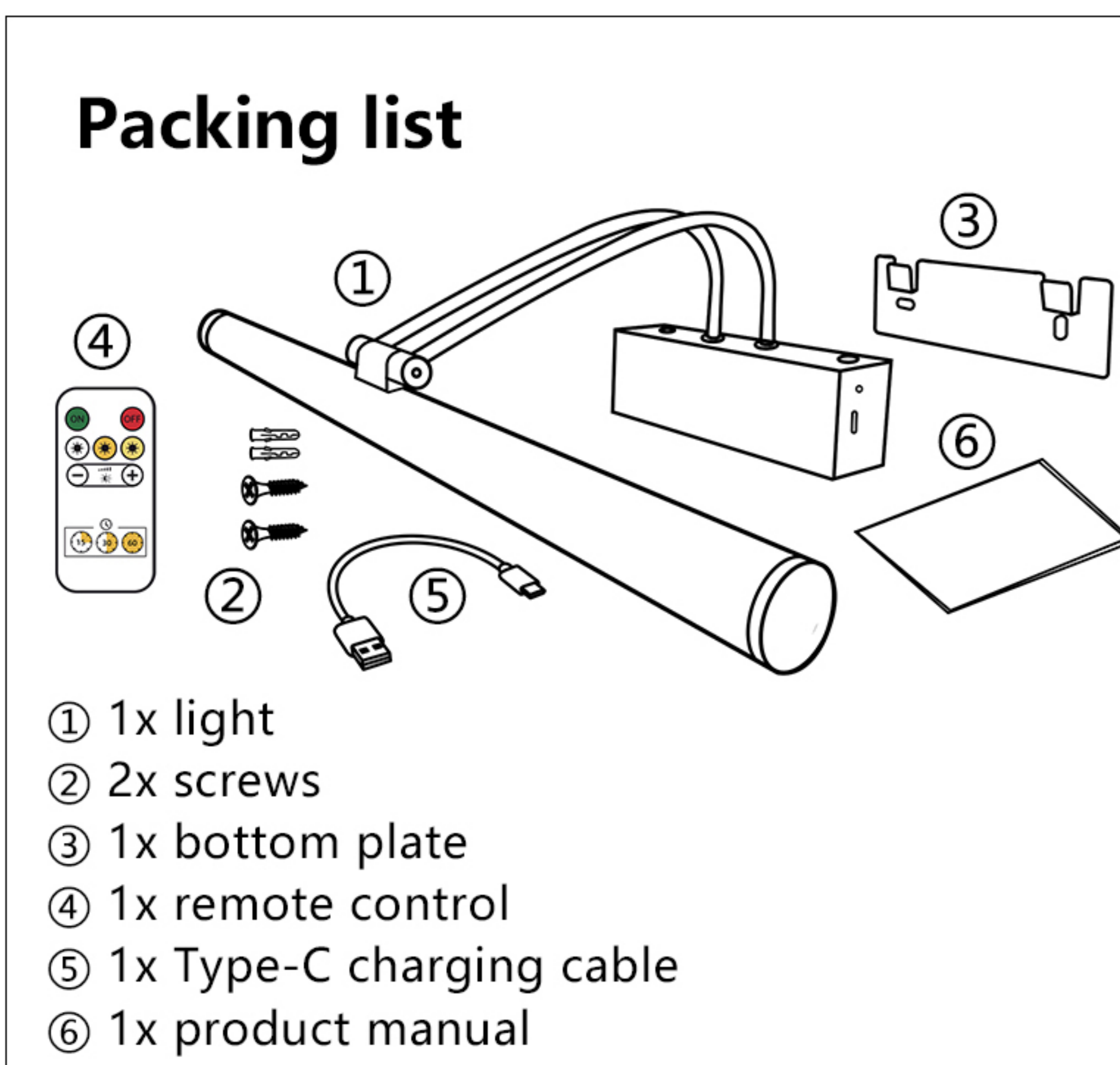
Thank you for purchasing our products! please read this product manual carefully and save it for future reference!

<b>Model</b>	LM270B-40D
<b>Shell material</b>	Iron, PC
<b>Color temperature</b>	Warm light(2800K) Natural light(4000K) White light(6000K)
<b>Lamp rotation angle</b>	270°up and down
<b>CRI</b>	90+
<b>Watts</b>	5W MAX
<b>Battery capacity</b>	4000mAh(Rechargeable lithium battery)
<b>Lighting time</b>	10 hours
<b>USB type</b>	Type C
<b>Charging time</b>	4 hours



## Note:

1. The shadow at the right end of the lampshade is the signal receiver, it is not a malfunction and will not affect the light
2. The remote control is powered by CR2025 button battery, please pull out the insulating paper when using it for the first time
3. Please use the attached screws to install the bottom plate, make sure the bottom plate is stable and then snap into the lamp
4. Please use it away from humid environment to avoid malfunction due to moisture
5. Do not modify or disassemble the lamp parts at will, so as not to damage the lamp



## Instructions for use of lamps

**Brightness Adjustment**(between 10% ~100%):

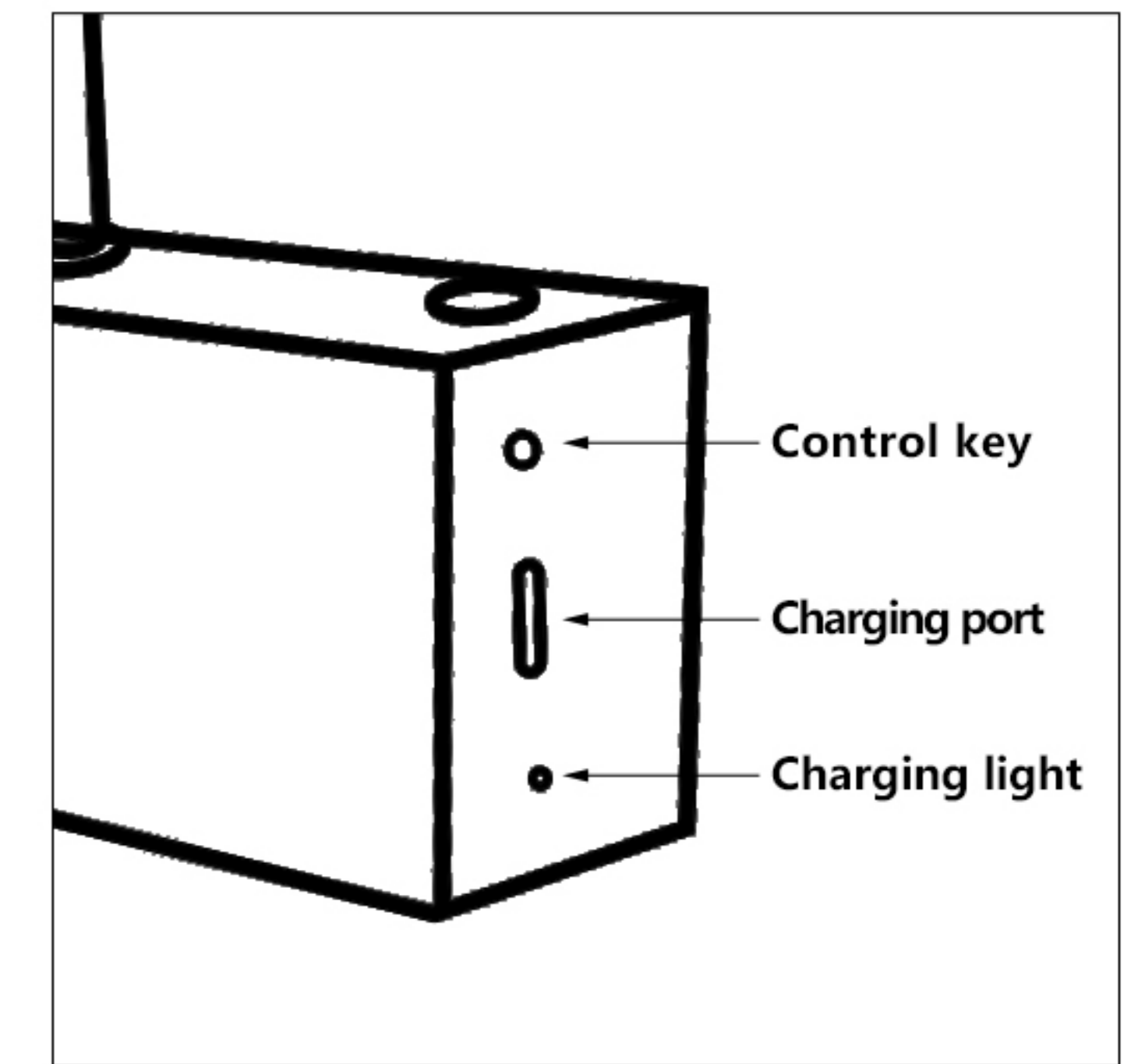
**Method ①:** When the light is on, press and hold the control button on the side of the bottom box to adjust the brightness.

**Method ②:** Use the remote control to adjust the brightness.

**Color temperature adjustment:**

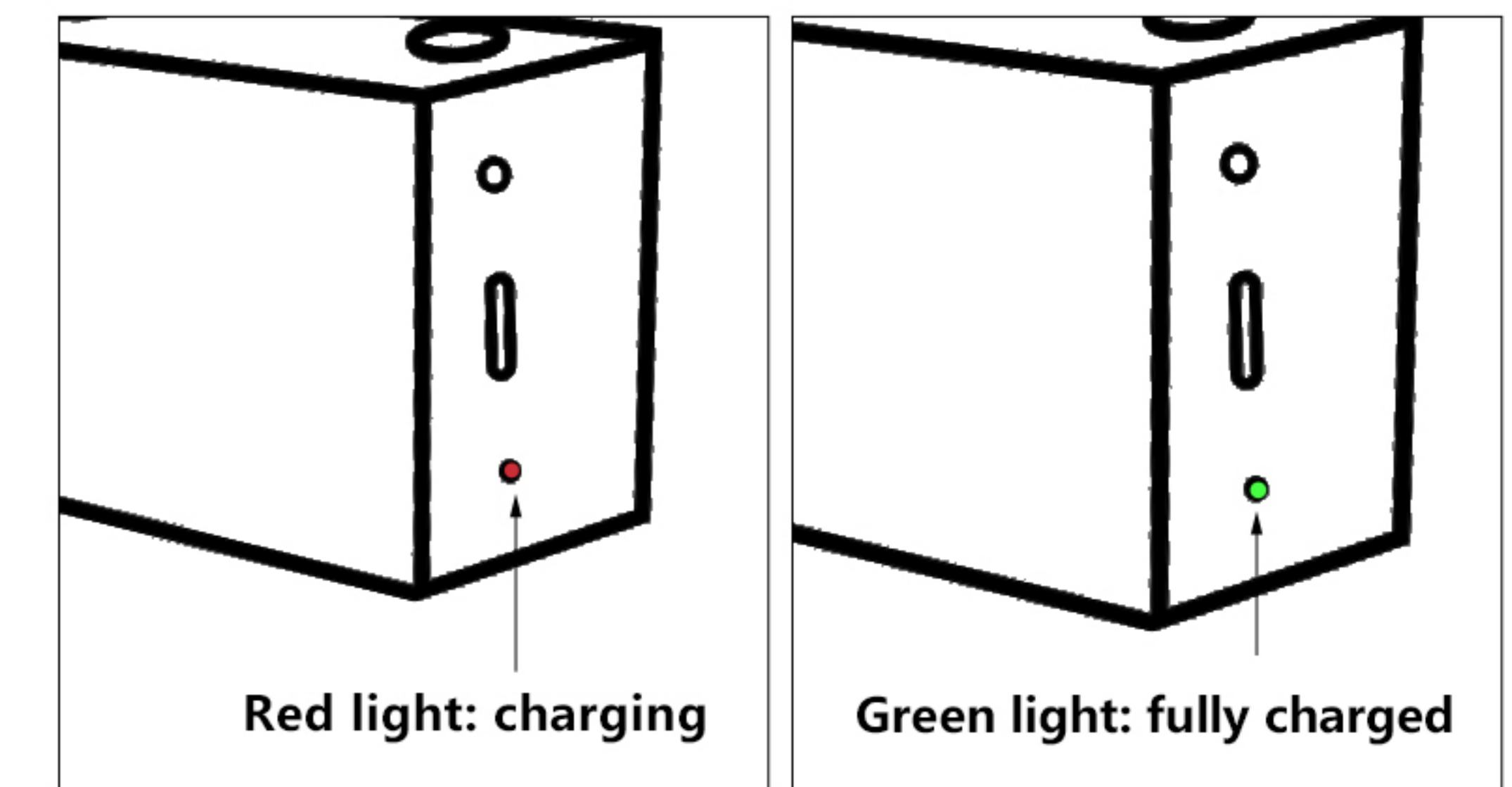
**Method ①:** Click the control button on the side of the bottom box: 1st click: turn on the light (the initial light is white light) 2nd click: switch to warm light; 3rd click: switch to natural light; 4th click: turn off .

**Method ②:** Use the remote control to switch the color temperature.

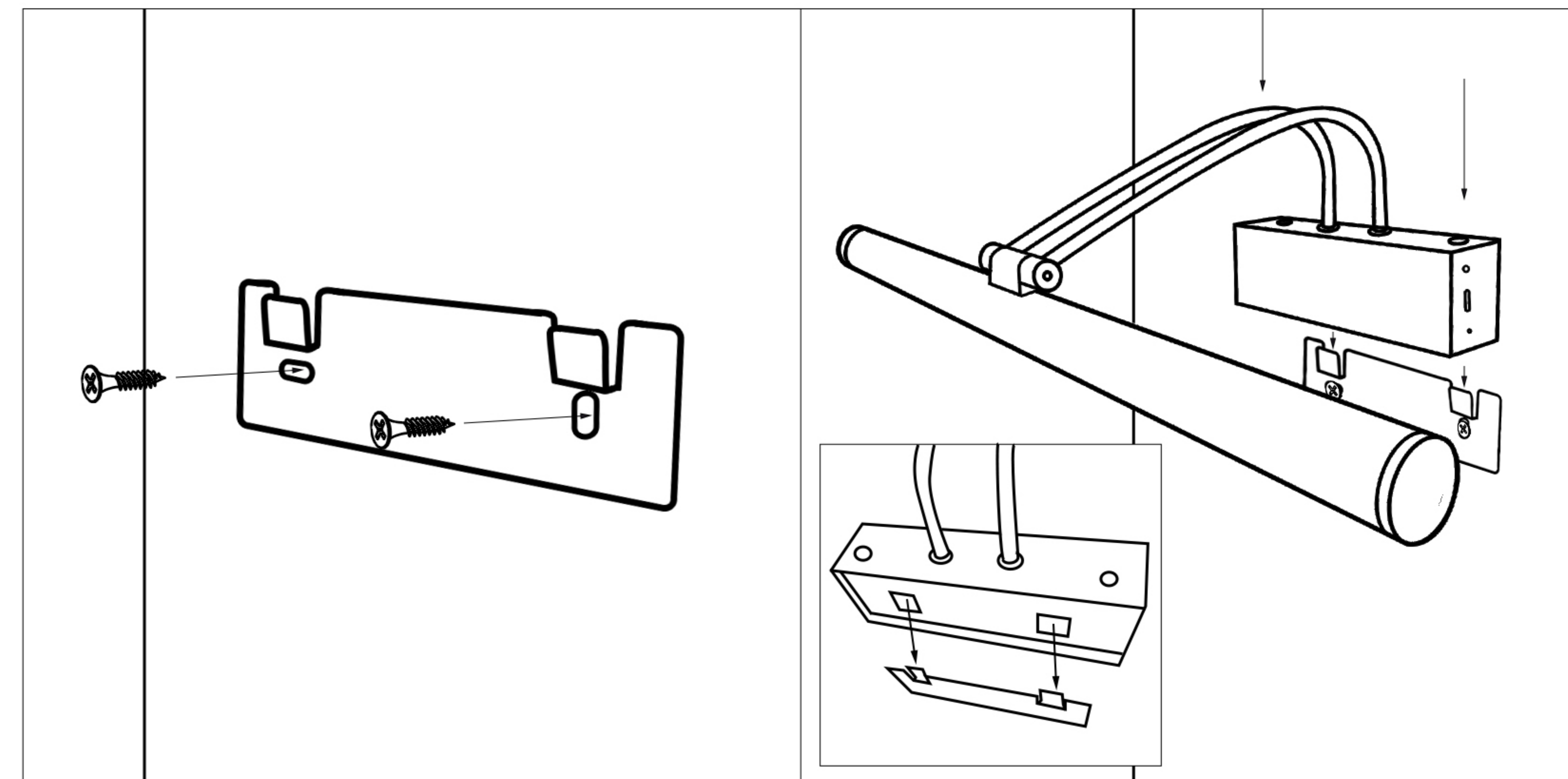


## Charging instructions:

When the light is dim, the power of the lamp is low and needs to be charged; the indicator light is red when charging, and the indicator light is green when fully charged.



## Installation



Step 1: Fix the base plate to the wall

Step 2: Put the lamp on the bottom plate