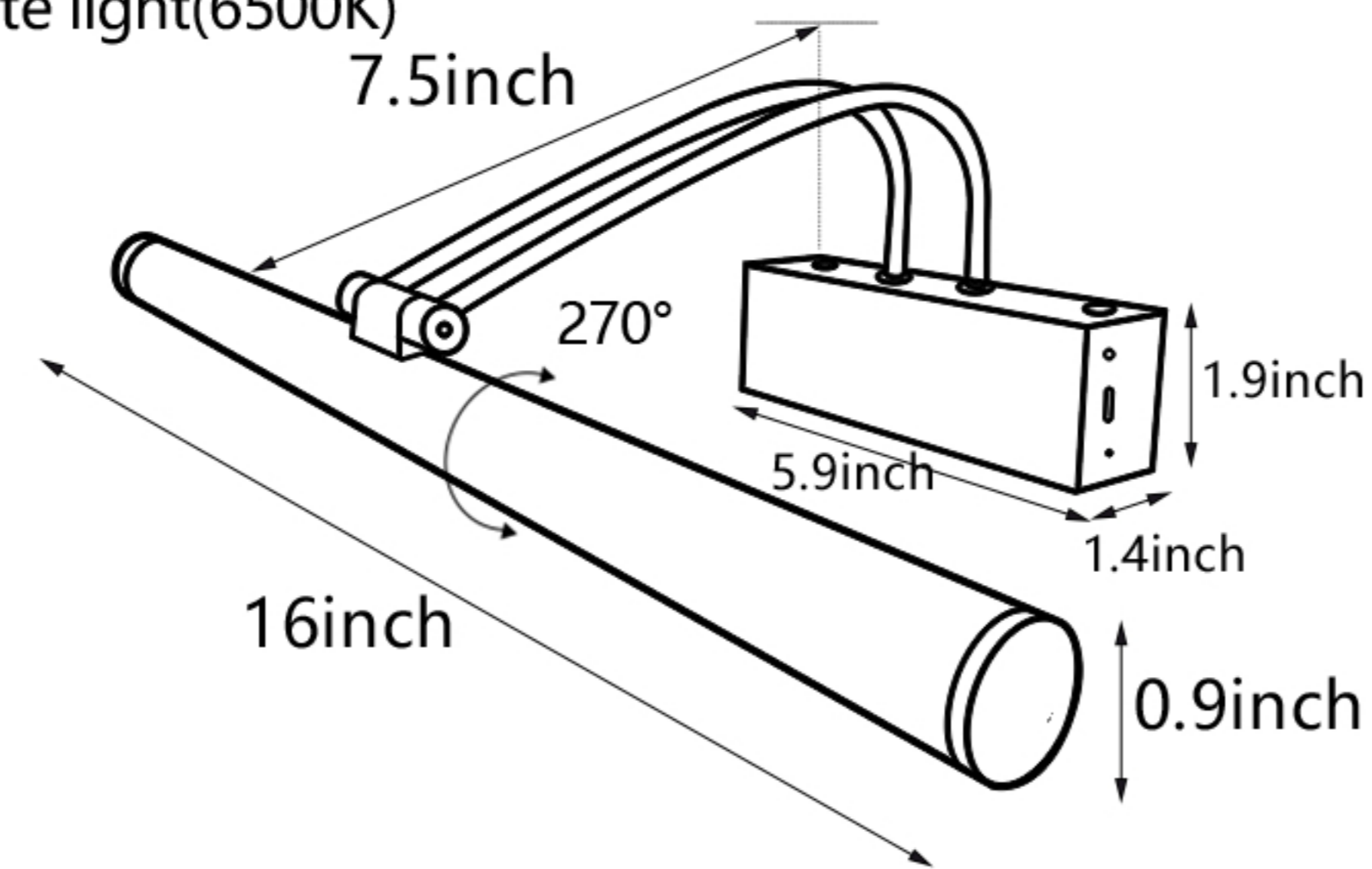


Product Manual

Model	LM270-40D
Material	Iron, PC
Temperature	Warm light(2800K)/Natural light(4000K)/White light(6500K)
Rotatable angle	270°
CRI	90+
Wattage	5W MAX
Battery capacity	4000mAh (Lithium battery)
Lighting time	
Charging type	Type-C



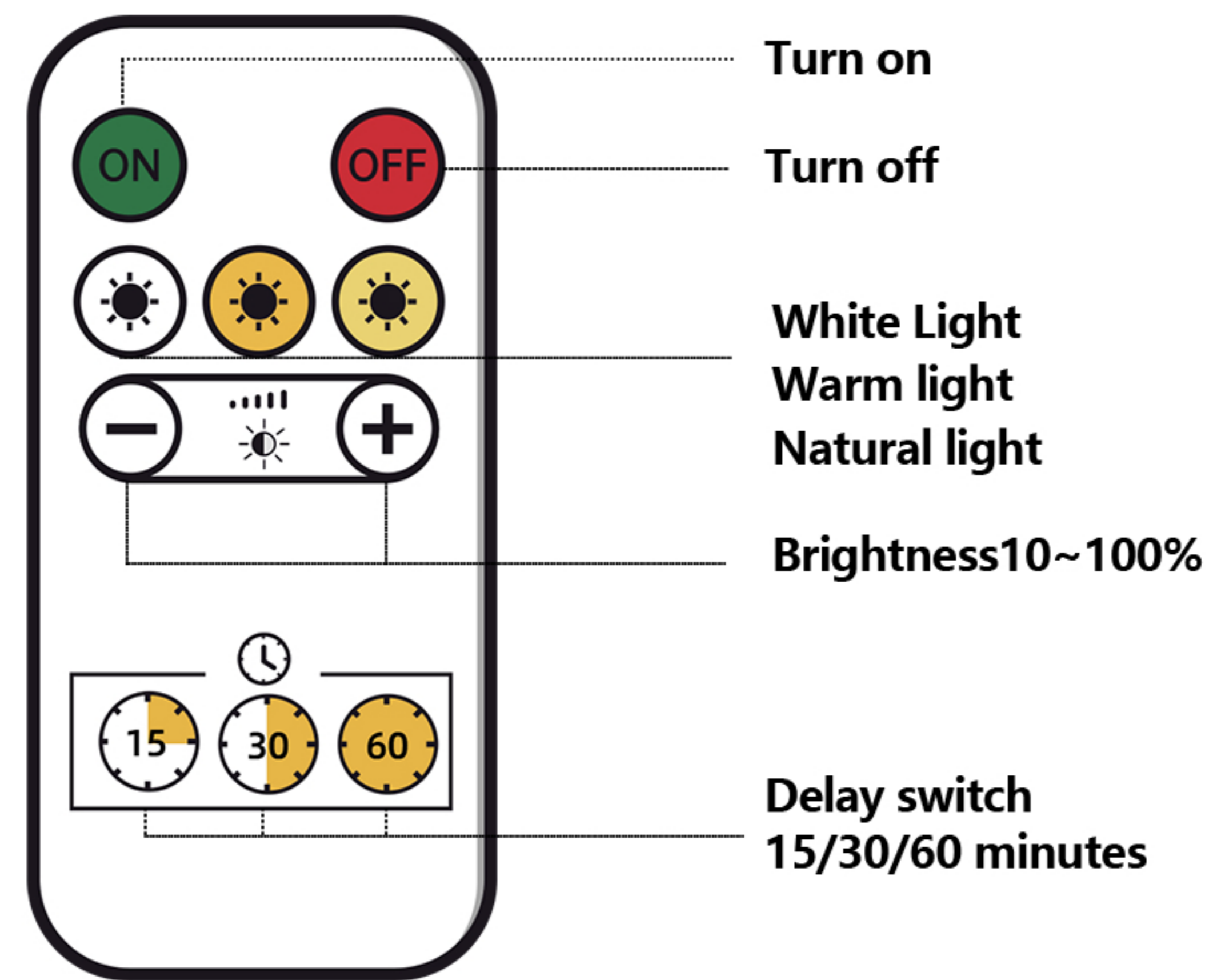
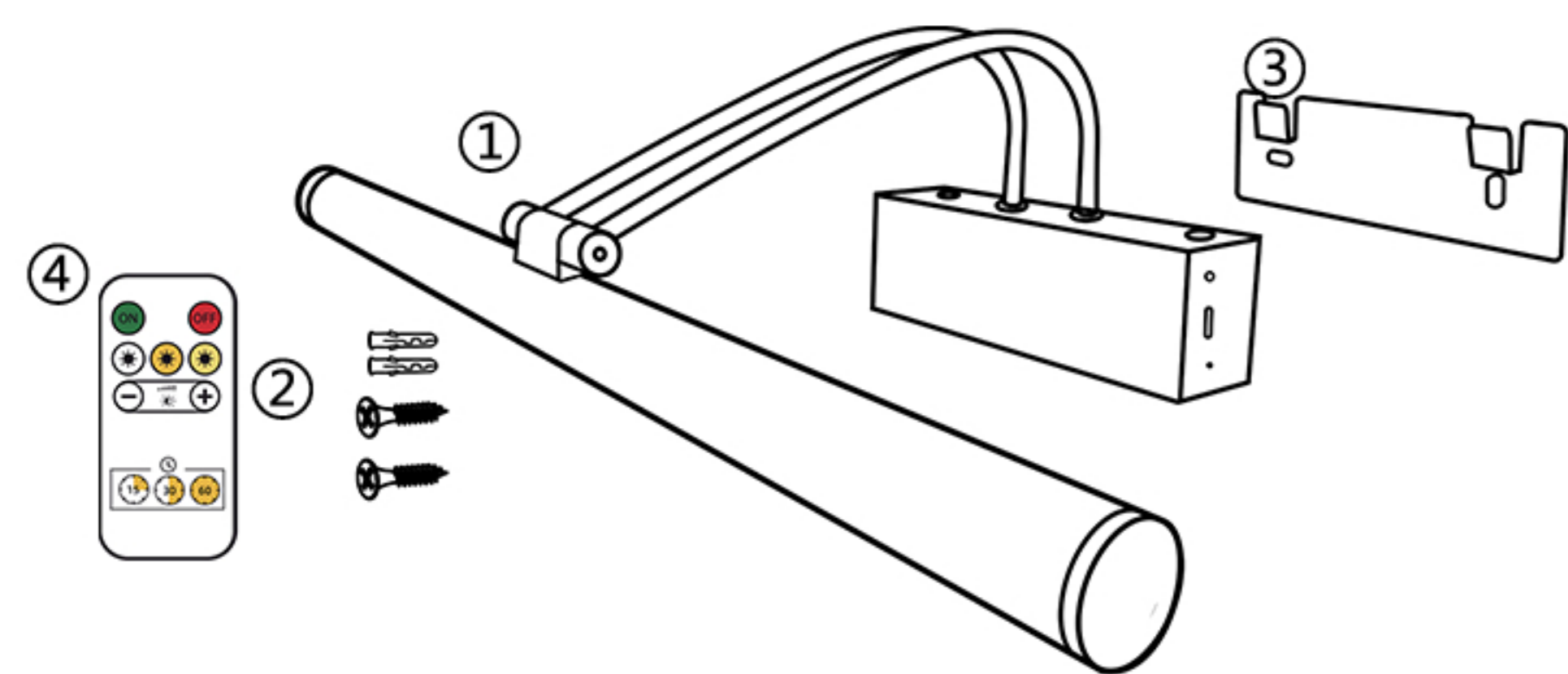
Thank you for purchasing our product, please take a moment to read this guide and save it for future reference!

Precautions:

1. There will be a slight dark area on the side of the luminous part of the painting lamp, which is the internal electronic components, please rest assured that this will not affect the luminescence.
2. The remote control is powered by CR2025 button battery (the battery is not included, you need to buy it yourself)
3. When installing the bottom plate, please use the attached screws to fix it. After ensuring that it is stable, snap the painting light into the bottom plate to fix it.
4. Please use it away from humid environment to avoid failure of the painting lamp due to humidity.
5. Do not change the appearance of the painting lamp and the electronic components inside to avoid unpredictable failures.

Packing List

- ① 1 x Lamp ③ 1 x Base
- ② 2 x screws ④ 1 x remote control



* Be sure to unplug the bottom insulating paper for the first use.

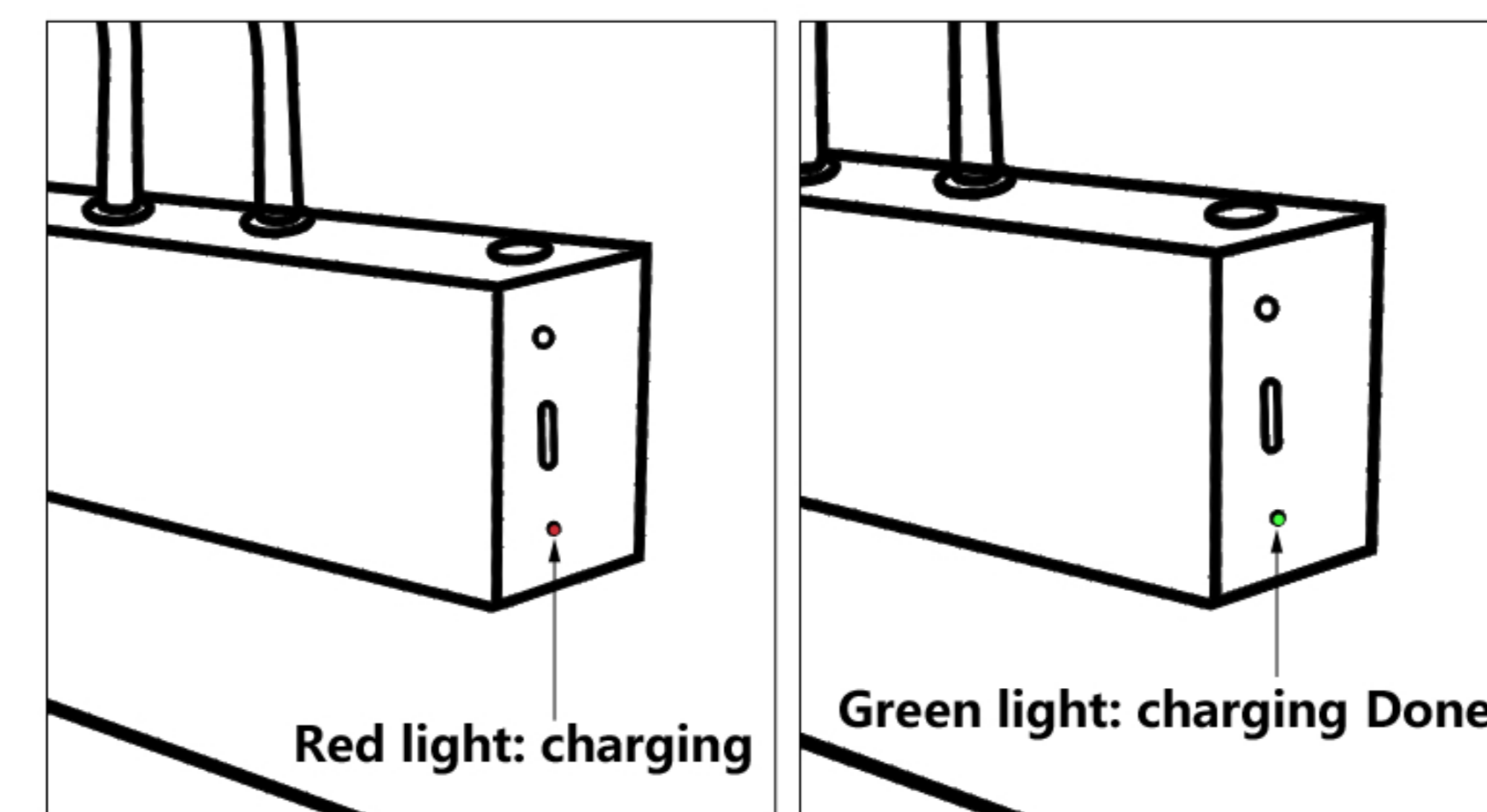
Painting lamp instructions

Brightness adjustment function:

When the light is on, press and hold the control button on the side of the bottom box to adjust the brightness between 10% and 100%.

Color temperature adjustment function:

Click the control button on the side of the painting light bottom box for the first time to turn on the light, click the second time to switch to white light, click the third time to switch to warm light, click the fourth time to switch to natural light, click the fifth time Control keys are off.



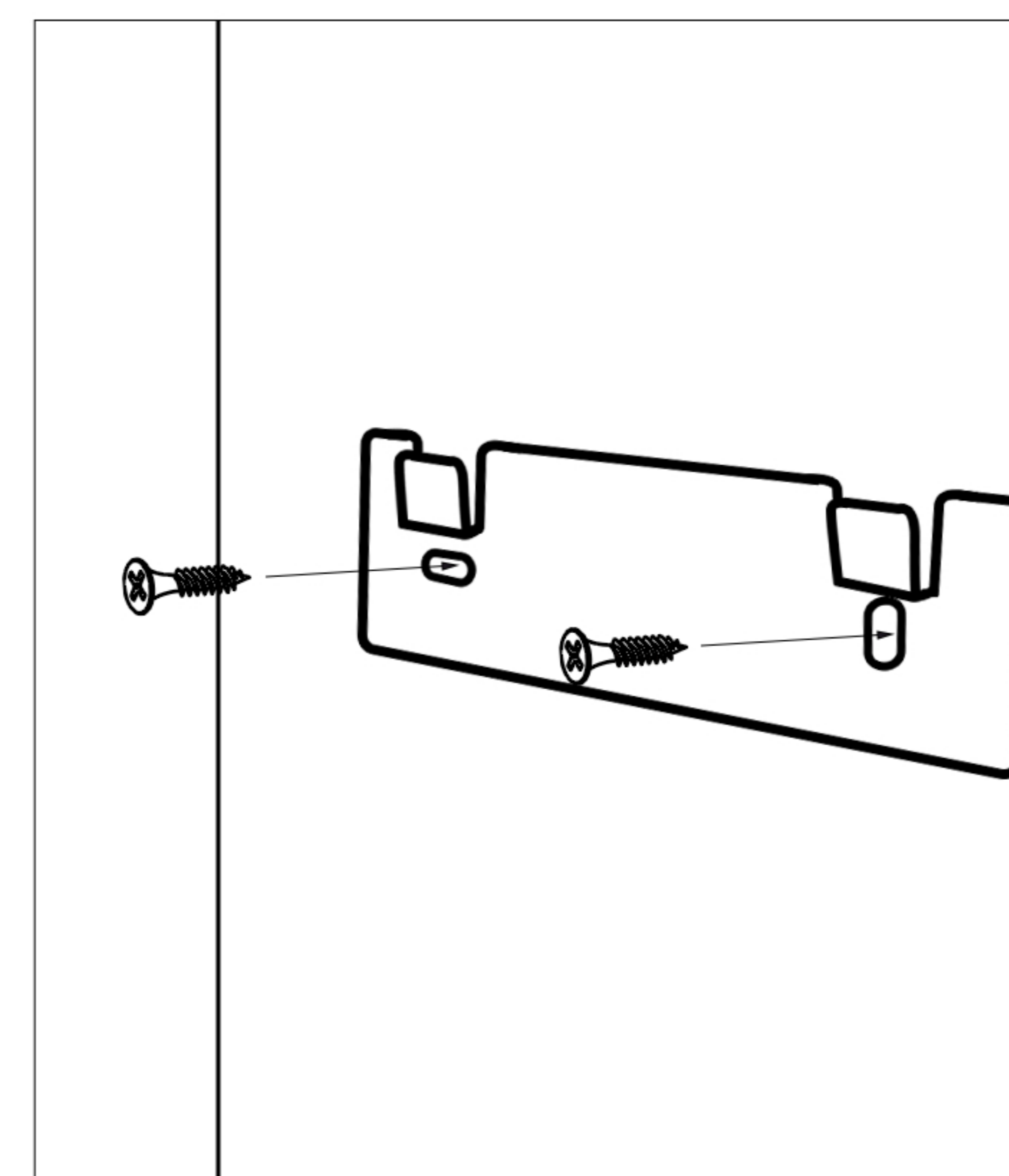
Charging instructions:

When the light is dim, it proves that the battery power of the painting light is not enough, and the painting light needs to be charged.

When the battery is charging, the indicator light is red, and when the battery is fully charged, the indicator light is green.

Installation

Step 1: Fix the base plate to the wall



Step 2: Put the lamp on the bottom plate and complete the installation

