

Product Manual

Thank you for purchasing our product, please take a moment to read this guide and save it for future reference!

Model	LM-2506
Material	Iron, PC
Temperature	2800K
CRI	≥90
Input	108-132V~60Hz0.19A
Rated Power	Max15W Uout:MAX 65V ≡
Function	1. Dimming 10%~100% (only used if the switch is a dimmer switch, this product does not include a switch) 2. Can be adjusted 270°

Distance from wall 15cm/5.9inch, 11cm/4.3inch, 3.5cm/1.4inch, 11cm/4.3inch, 60cm/23.6inch, 1.5cm/0.59inch, 270°

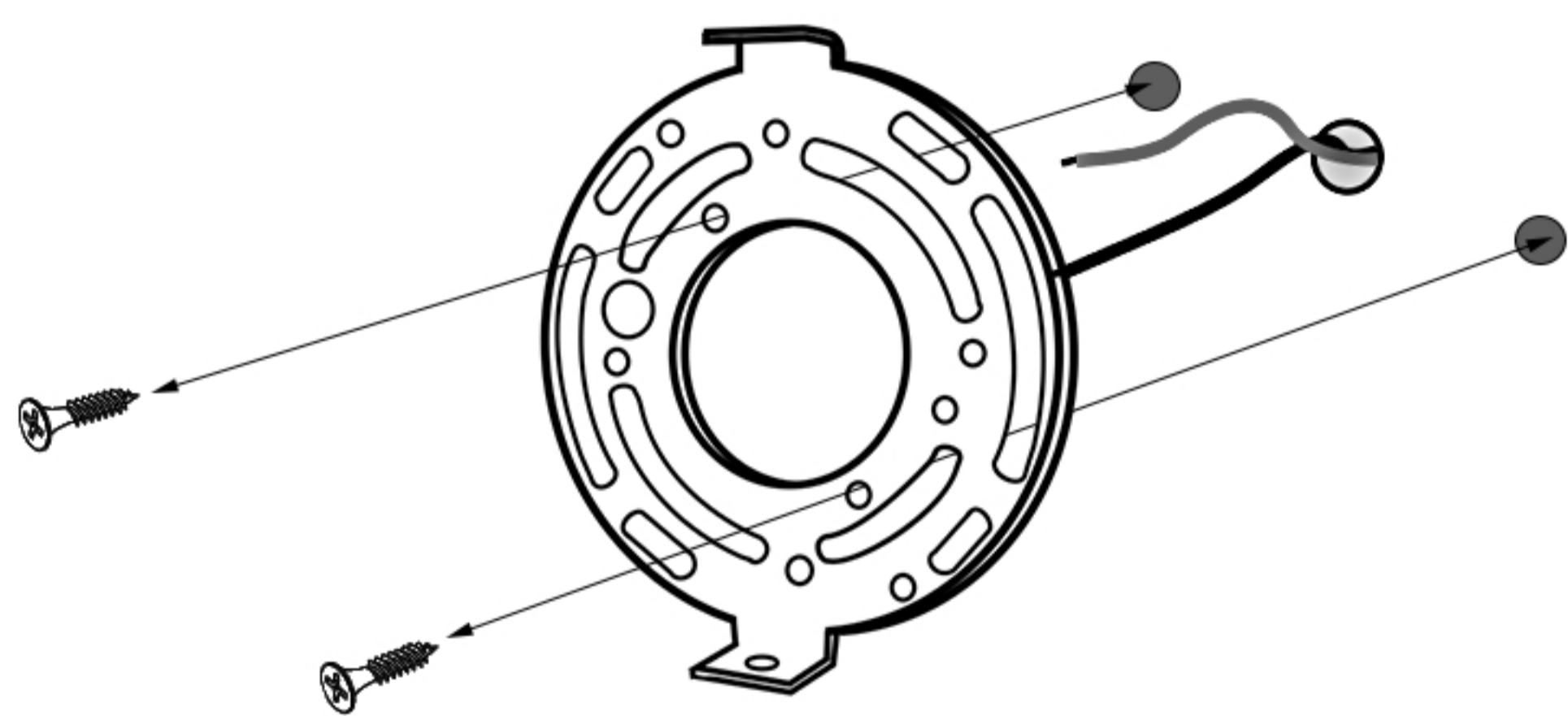
CLASS 2 LUMINAIRE
MADE IN CHINA

Warning:

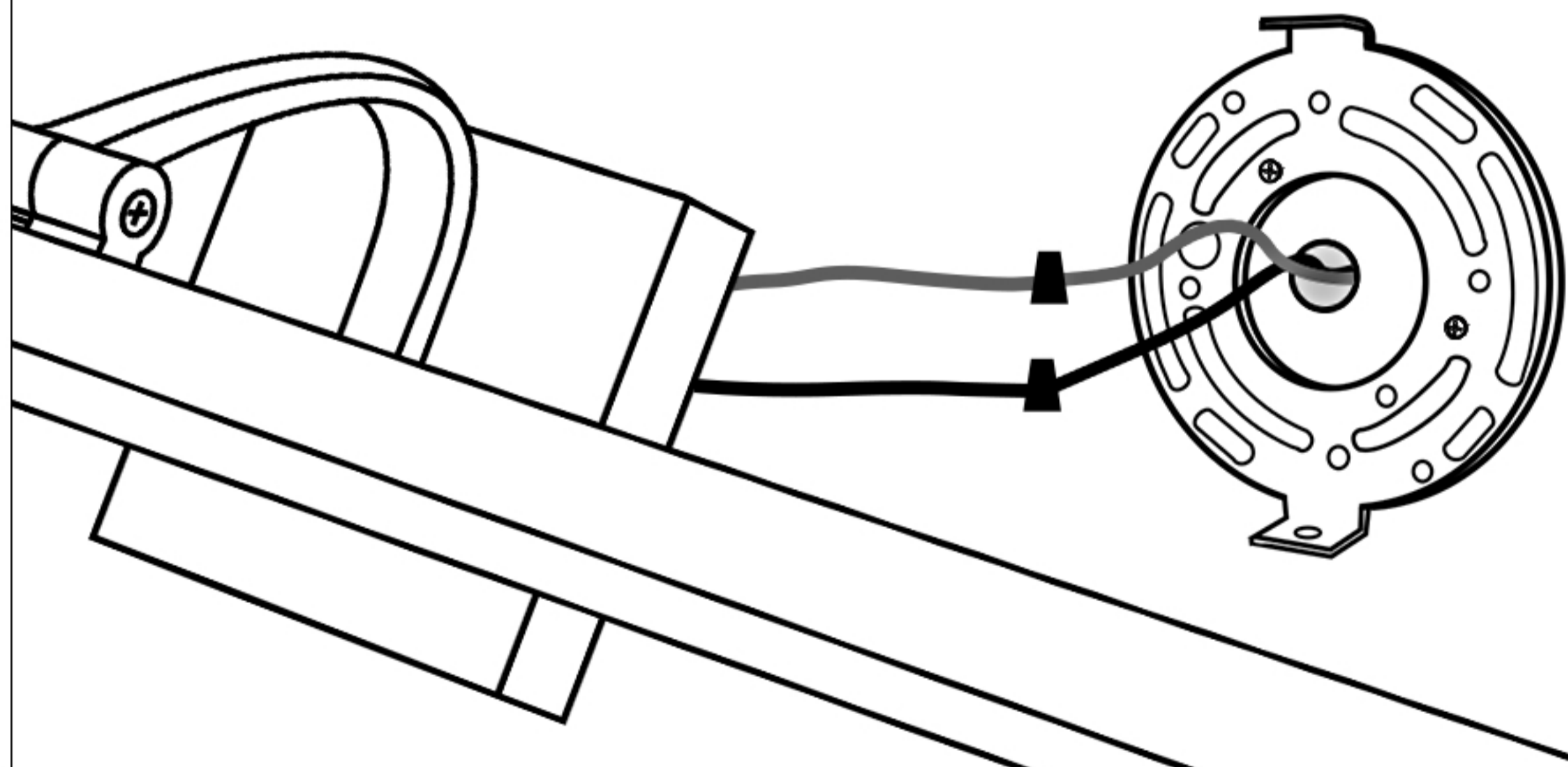
1. Do not use the power supply beyond the specified range (100-240V,50Hz).
2. Cut off the power before installation to prevent electric shock.
3. Avoid scratching the lamp and wires during installation.
4. Do not change the product line or appearance by yourself, so as not to cause unpredictable problem.

Installation

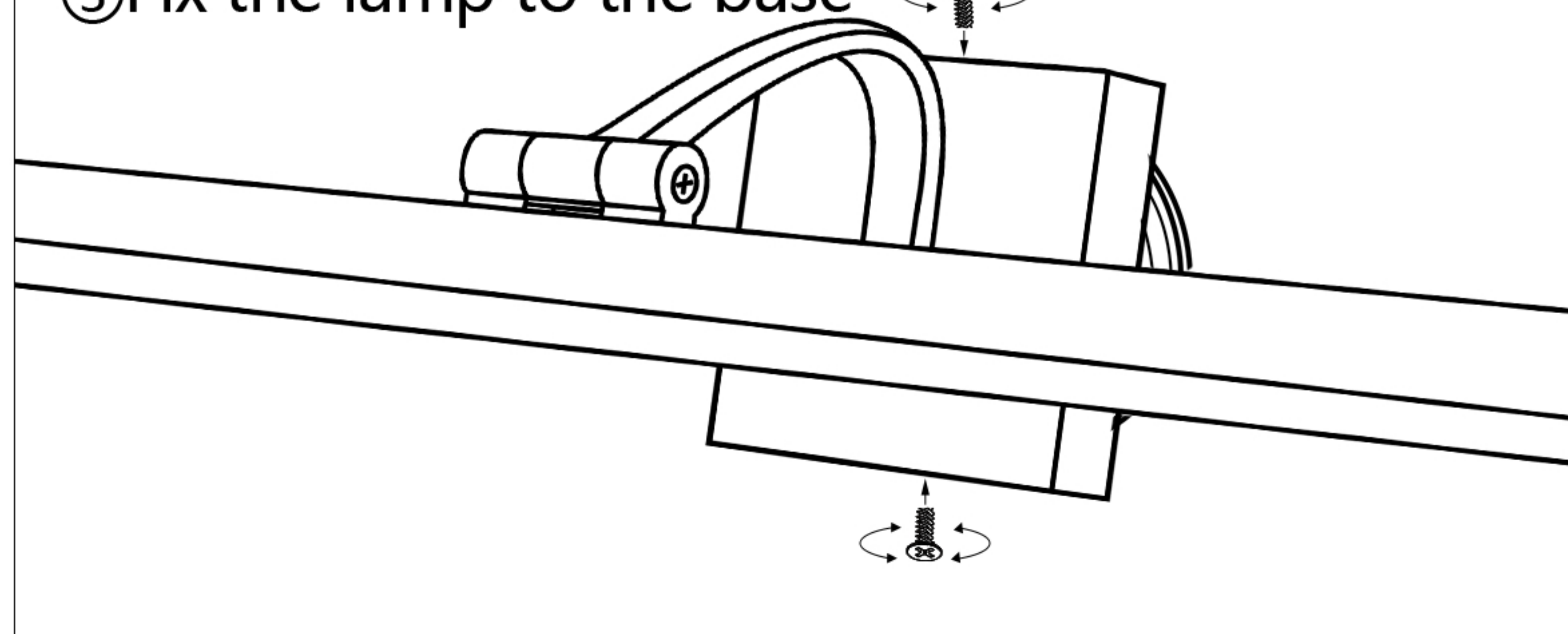
① Install the base on the wall



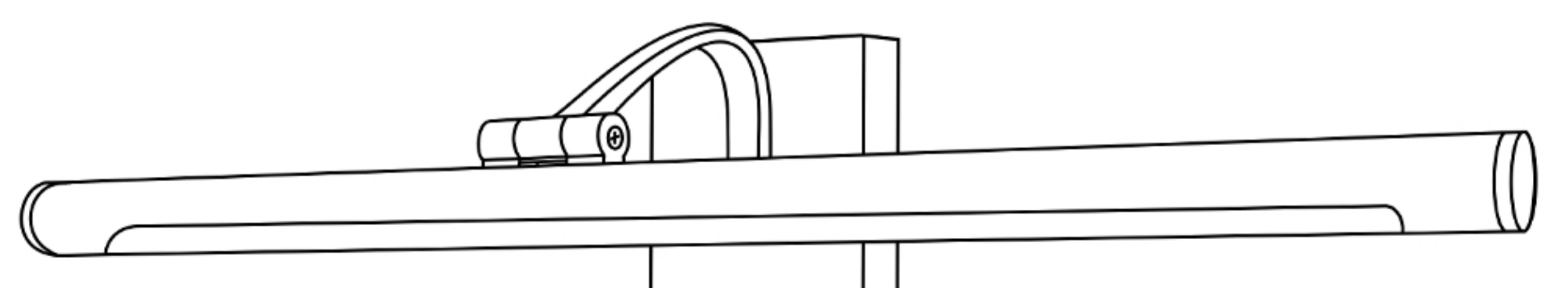
② Connect the wire



③ Fix the lamp to the base



④ done!



*PS: Ordinary switches can only control switches, and switches with dimming can realize the dimming function.